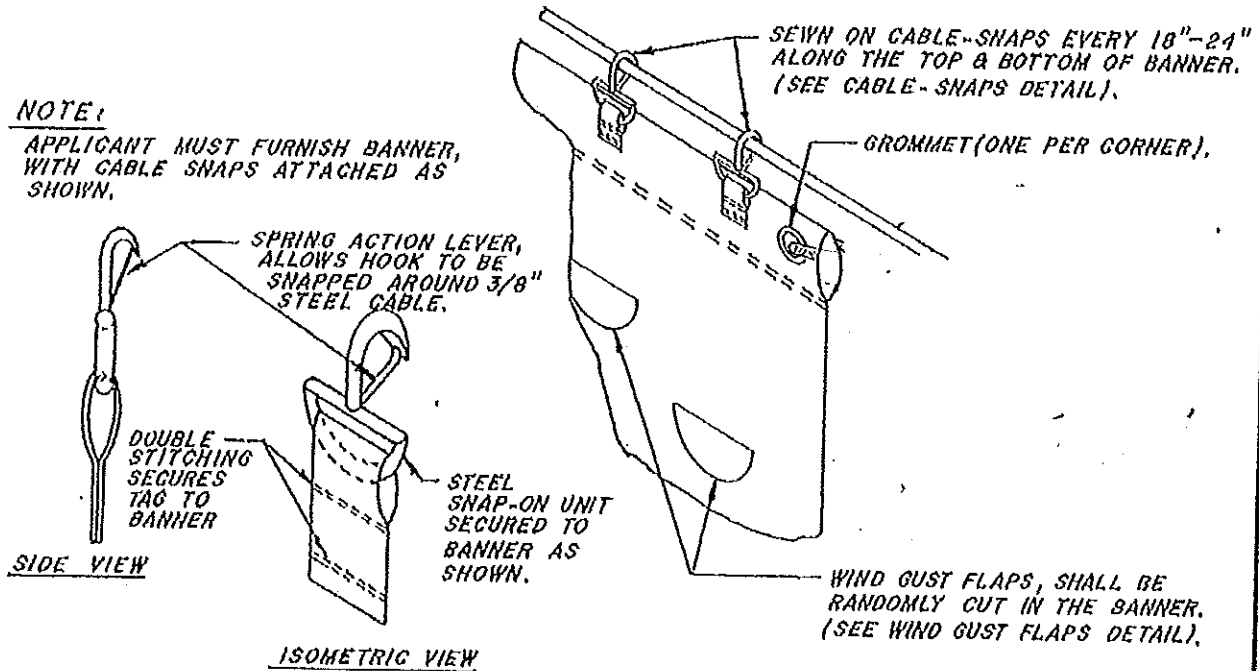


* FINAL MOUNTING HEIGHT MAY VARY DEPENDING ON MOUNTING HEIGHT OF EXISTING POLE MOUNTED UTILITIES. CITY TO MOUNT BANNER ON STEEL STRAIN CABLES.

** ALL BANNERS REQUIRE WIND GUST FLAPS WITH THE EXCEPTION OF MESH MATERIAL BANNERS

NOTE:

APPLICANT MUST FURNISH BANNER, WITH CABLE SNAPS ATTACHED AS SHOWN.

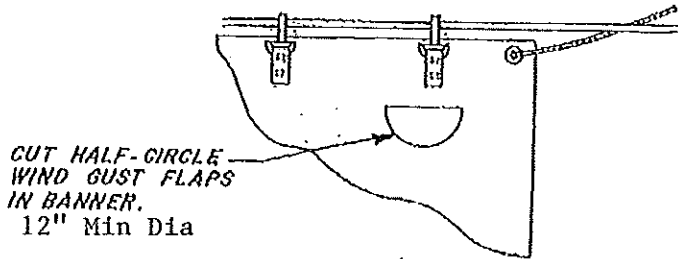


SIDE VIEW

ISOMETRIC VIEW

CABLE SNAPS DETAIL
(INTEGRAL PART OF BANNER)

BANNER CONSTRUCTION DETAIL



FRONT VIEW



SIDE VIEW

WIND GUST FLAPS DETAIL

BANNER SPECIFICATIONS & DETAIL SHEET

DATE: _____
SCALE: NONE

CITY OF SAGINAW
ENGINEERING DIVISION